

Power Management (Synch & LS)

Increased Your System Reliability

In Power Management System TRI TECH (PVT) LIMITED have an association with Rational Engineering. and offer the synchronizing and load sharing of Gen Set on LV and MV System with Remote Monitoring and SCADA System.

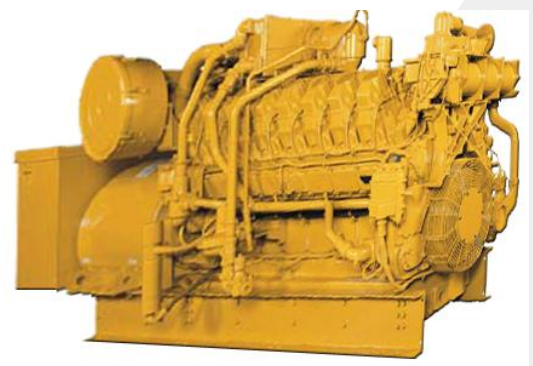
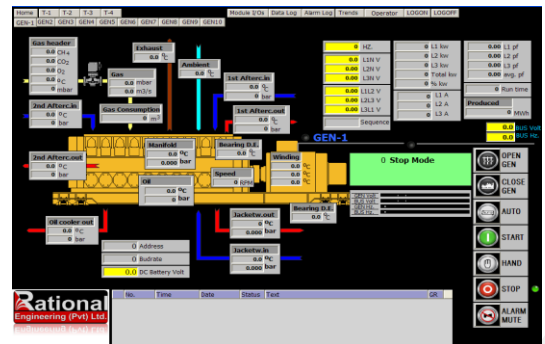
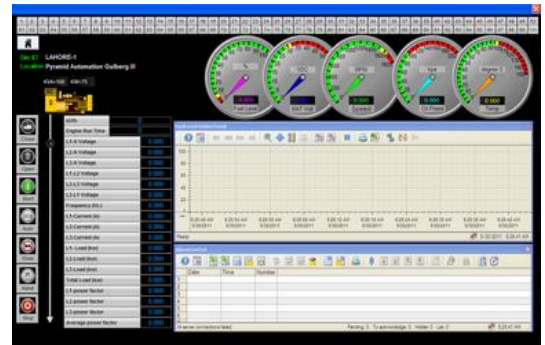
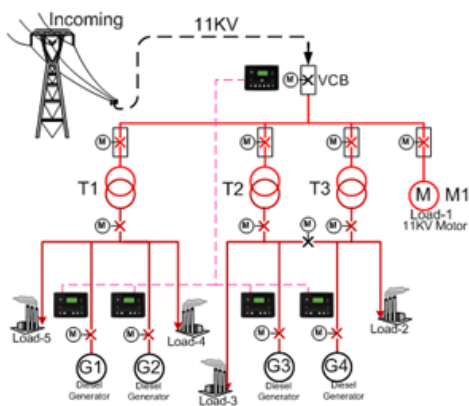
Power:

Multi Generator Synchronizing & Load sharing.
Multi Generator Paralleling with Mains Utility Power.
Automation for Load Management Schemes.

With today's 24 hours non stop way of working, automatic changeover panels are becoming a more regular requirement within the market place. We use Advanced Automatic Synchronizing and load sharing control modules to ensure that the changeover is fail safe and that both generator and mains can be parallel to transfer the load as no break (soft) transfer.

Full system backup and changeover or essential supplies and non-essential load shedding upon a mains failure.

We can produce changeovers with full system bypass arrangements and more than one generator or mains supply.



THE GENERATE R POWER:

We Distribute, Control, Transfer, Monitor, Measure,
Manage, Display, Maintain, Service and Communicate with it.

TRI TECH (PVT) LIMITED

www.tritech.pk

tritech@tritech.pk

With might and main

21 km off Ferozpur Road, Main Green Cap, Lahore-Pakistan PO 54760 Phone: 042 35031580, 38469352, Fax: 042 35272421